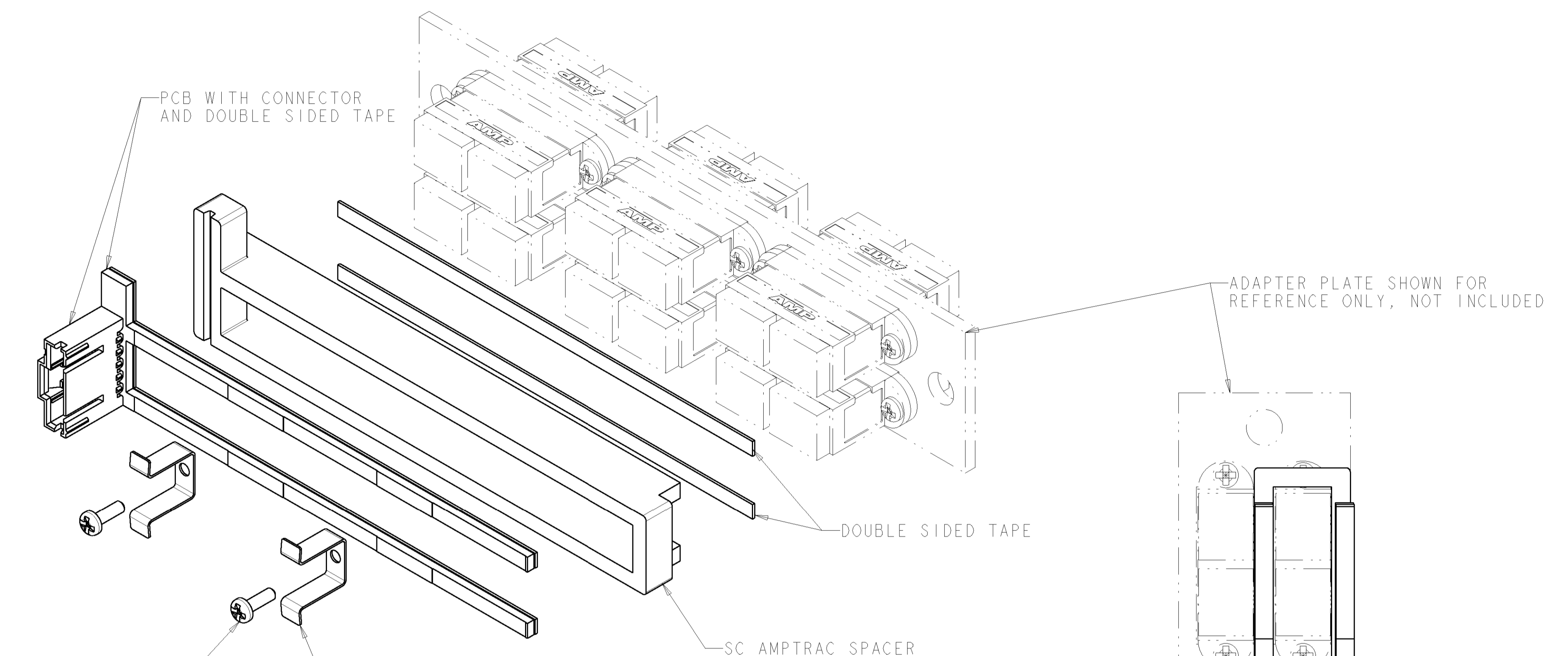


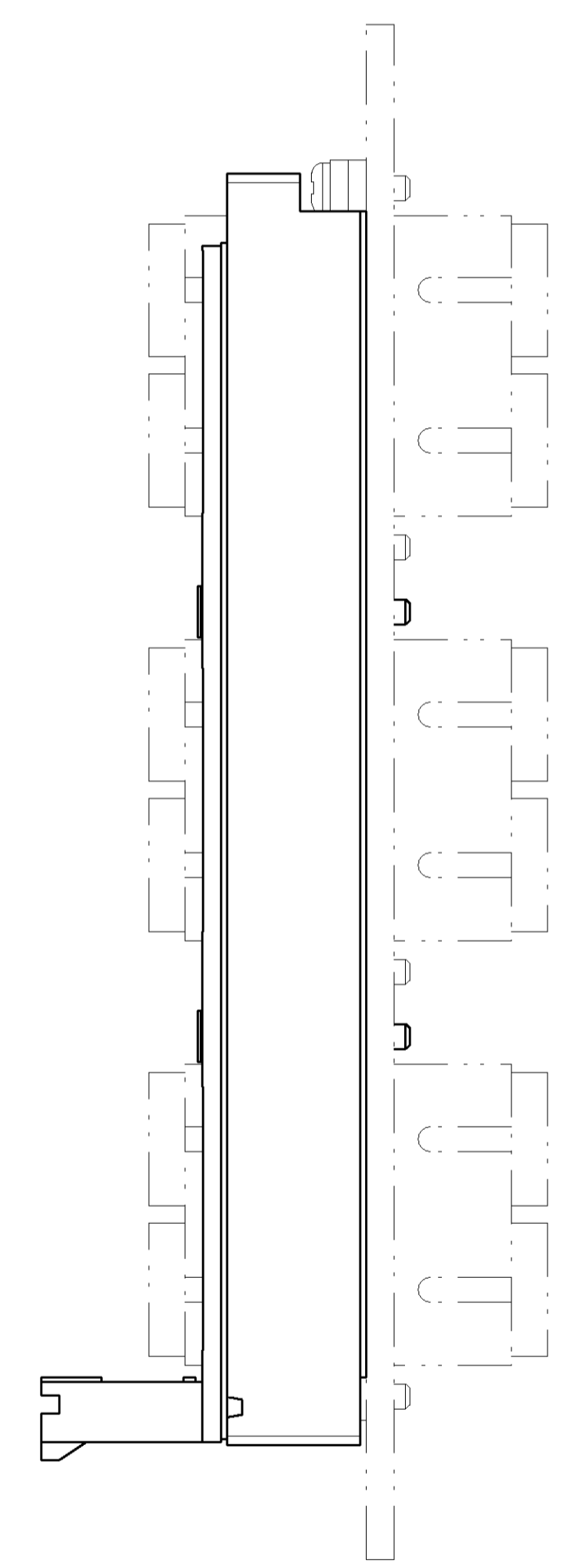
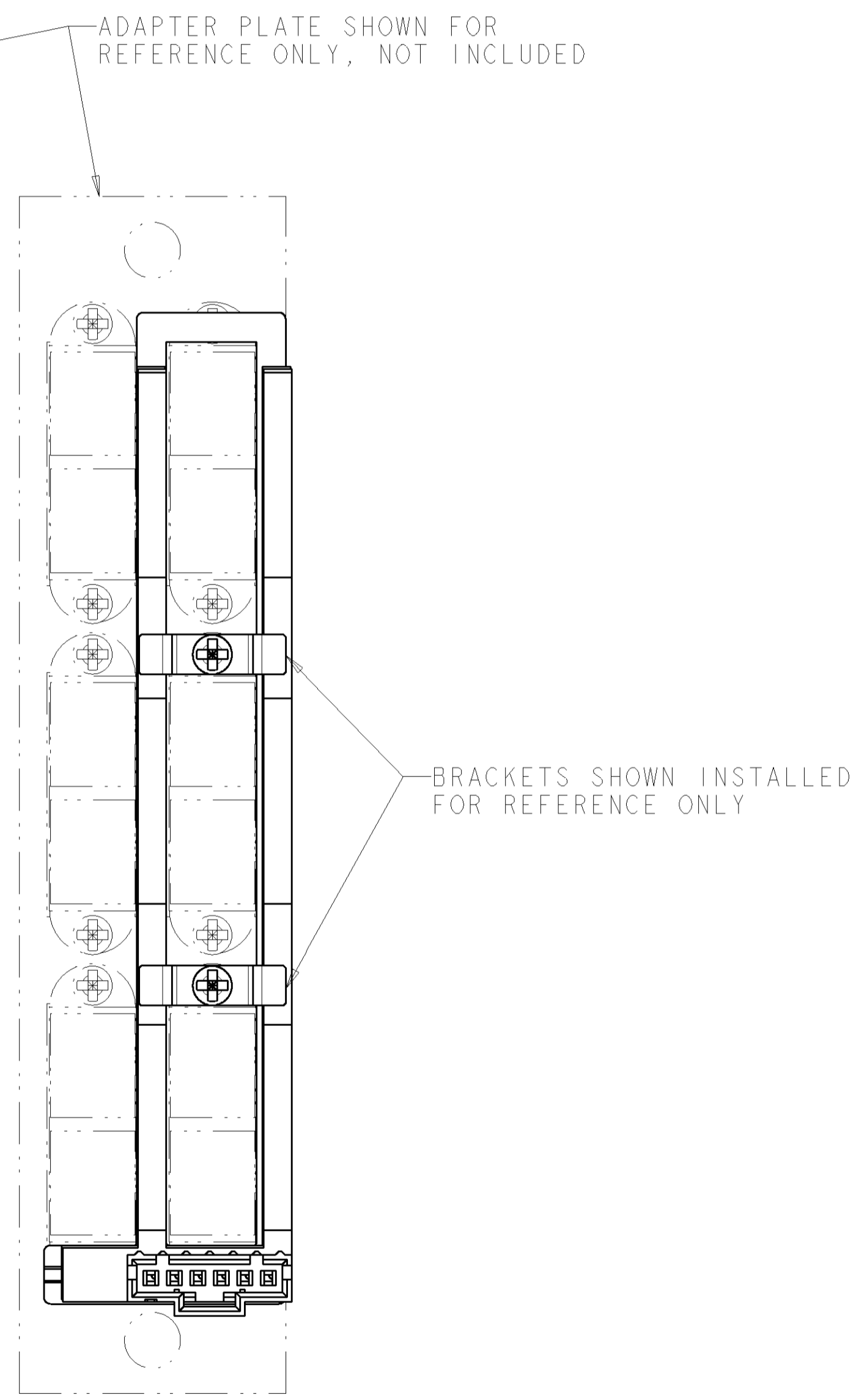
LOC		DIST		REVISIONS			
HM	00	P	LTR	DESCRIPTION	DATE	DRN	APVD
		A		REDWN. REV: EC 0B60-0091-04	21OCT2004	GG	MD

△ MATERIAL:
 PRINTED CIRCUIT BOARD - LAMINATED PLASTIC, FR-4.
 SC AMPTRAC SPACER - THERMOPLASTIC.
 PCB HOLDING BRACKETS - STAINLESS STEEL.
 PCB CONNECTOR - FLAME RETARDENT THERMOPLASTIC,
 CONTACTS BRASS.



2-56 UNC SCREW
 QUANTITY 2

PCB HOLDING BRACKETS
 QUANTITY 2



1435685-1
 PART NUMBER

<small>THIS DRAWING IS UNPUBLISHED. RELEASED FOR PUBLICATION. IT IS THE PROPERTY OF TYCO ELECTRONICS CORPORATION. IT IS TO BE USED ONLY FOR THE PURPOSES AND CONDITIONS SPECIFIED IN THE DRAWING. IT IS NOT TO BE REPRODUCED OR TRANSMITTED IN ANY FORM OR BY ANY MEANS, ELECTRONIC OR MECHANICAL, INCLUDING PHOTOCOPYING, RECORDING, OR BY ANY INFORMATION STORAGE AND RETRIEVAL SYSTEM, WITHOUT PERMISSION IN WRITING FROM TYCO ELECTRONICS CORPORATION.</small>		DWN GS GARRETT 21OCT2004 ENR M DELPHIAS 21OCT2004 APVD M DELPHIAS 21OCT2004	tyco Electronics Tyco Electronics Harrisburg, PA 17105-3608
DIMENSIONS: MM [INCHES]	TOLERANCES UNLESS OTHERWISE SPECIFIED: 0 PLC ± 1 PLC ± 2 PLC ± 3 PLC ± 4 PLC ± ANGLES ± FINISH	NAME RETROFIT FOR 6 SC DUPLEX ADAPTER PLATE OR CASSETTE - AMPTRAC	SIZE CAGE CODE DRAWING NO A 100779 C=1435685
MATERIAL △	FINISH	WEIGHT CUSTOMER DRAWING	RESTRICTED TO SCALE 2:1 SHEET 1 OF 1 REV A